



## General Description (产品描述)

SE301 is an USB Type-C controller (USB Type-C™ Specification 1.1) with/without internal PMOS FET. It is specially designed for power adapter and charger applications (\*up to 3A @5V). It can provide the information about the power source current rating to a load device. It also prevents the VBUS from being asserted unless a valid connection has been detected. SE301 是一款带智能识别功能的USB Type-C DFP CC控制器芯片。芯片支持USB Type-C V1.1端口协议的连接检测、正反插识别、广播DFP设备电流能力配置等，只有在适配器（DFP）检测到有UFP插入之后才开启VBUS供电，当UFP拔出后，会自动关闭VBUS。

广泛应用于车充、旅充、墙充、移动电源等。

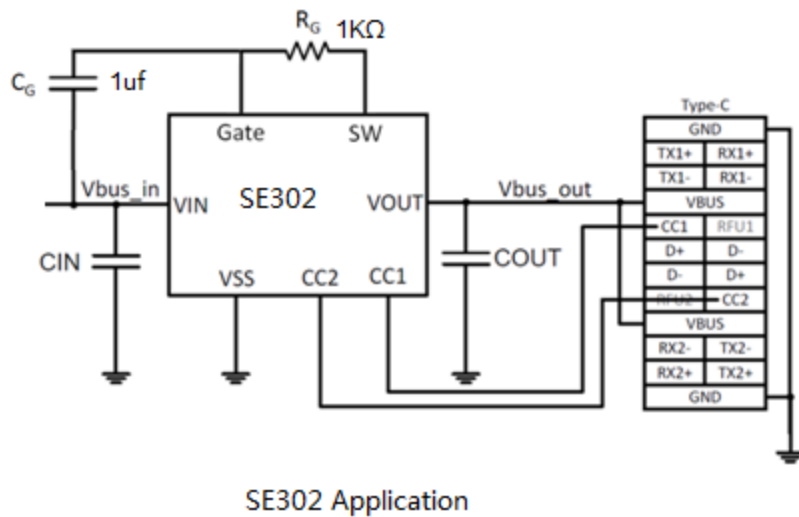
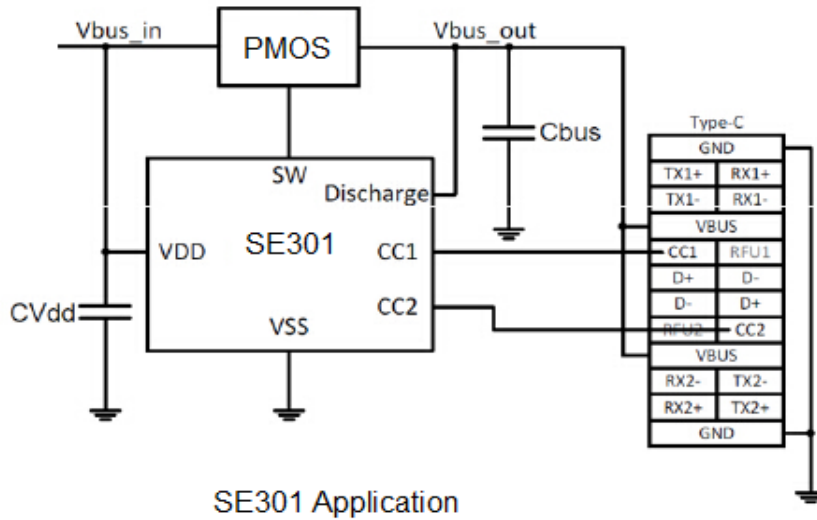
## Features(产品特性)

- CC1/CC2 Pin to Advertise Power Source Current rating to UFP Device
- Three DFP CC Termination Current Source Levels Available
  - 80uA for Default USB Power Application
  - 180uA for [1.5A@5V](#) Application-
  - 300uA for 3A@5V Application
- P-MOS VBUS Switch Control Pin (SE301)
- Build in internal P-MOS (SE302)
- VDD Operating Range 3.0V-5.5V
- 2KV HBM ESD Protection

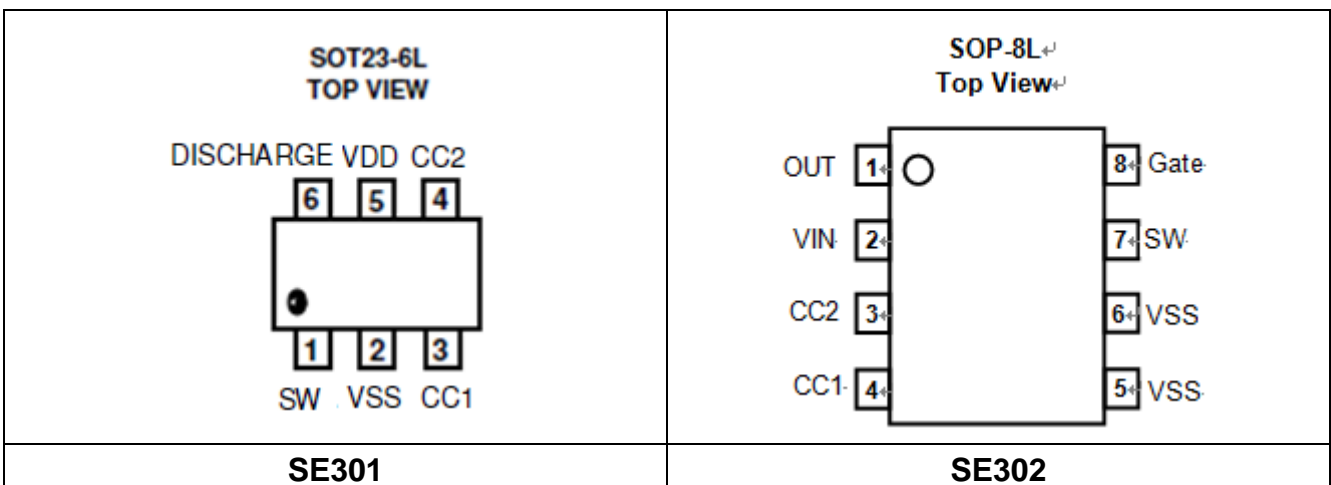
## Applications(产品应用)

- USB Type-C Power Ports for Mobile Chargers
- AC-DC Adapters
- Power Adapters
- Car Charger

## Typical Application (典型应用电路)

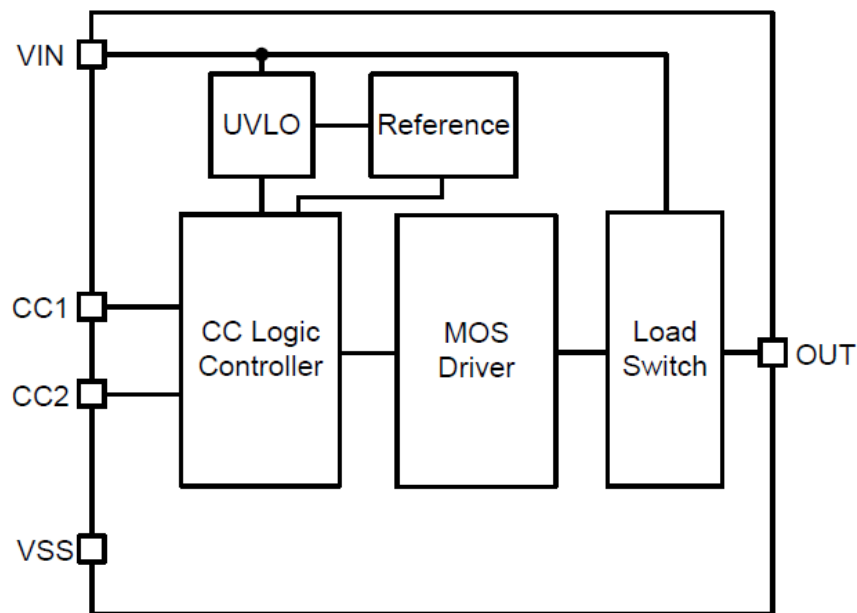


### Pin Configuration (管脚排列)



**Pin Description (管脚功能描述)**

NO.	Pin Name	Pin Function Description
1	VDD	Power supply pin
2	CC1	Output to Type-C CC or VCONN pin.
3	CC2	Output to Type-C CC or VCONN pin.
4	VSS	Ground Pin
5	SW	External P-MOS VBUS Switch Control Pin
6	Gate	Gate Side Of Internal P-MOS
7	OUT	USB Power Output Pin
8	Discharge	Discharging VBUS line during voltage change

**Functional Block Diagram (功能框图)**

**Absolute Maximum Ratings(最大额定参数)**

Symbol	Parameter	Maximum	Units
$V_{DD}$	Supply Voltage	-0.3 to 7.0	V
CC1, CC2	Control Pins	-0.3 to $V_{DD}+0.3$	V
OUT	USB Power Output Pin	-0.3 to 7.0	V
$T_J$	Junction Temperature	150	°C
$T_{STG}$	Storage Temperature	-60~150	°C
$T_{Lead}$	Lead Temperature (Soldering, 10 sec.)	260	°C



**Recommended Operating Conditions(推荐工作条件)**

Symbol	Parameter	Min	Max	Units
$V_{DD}$	Supply Input Voltage	3.0	6.0	V
$T_J$	Operating Junction Temperature Range	-40	125	°C
$T_A$	Operating Ambient Temperature Range	-40	85	°C

**Electrical Characteristics(电气参数)**

( $V_{CC}=5V$  ;  $T_a=25^{\circ}C$  unless otherwise specified)

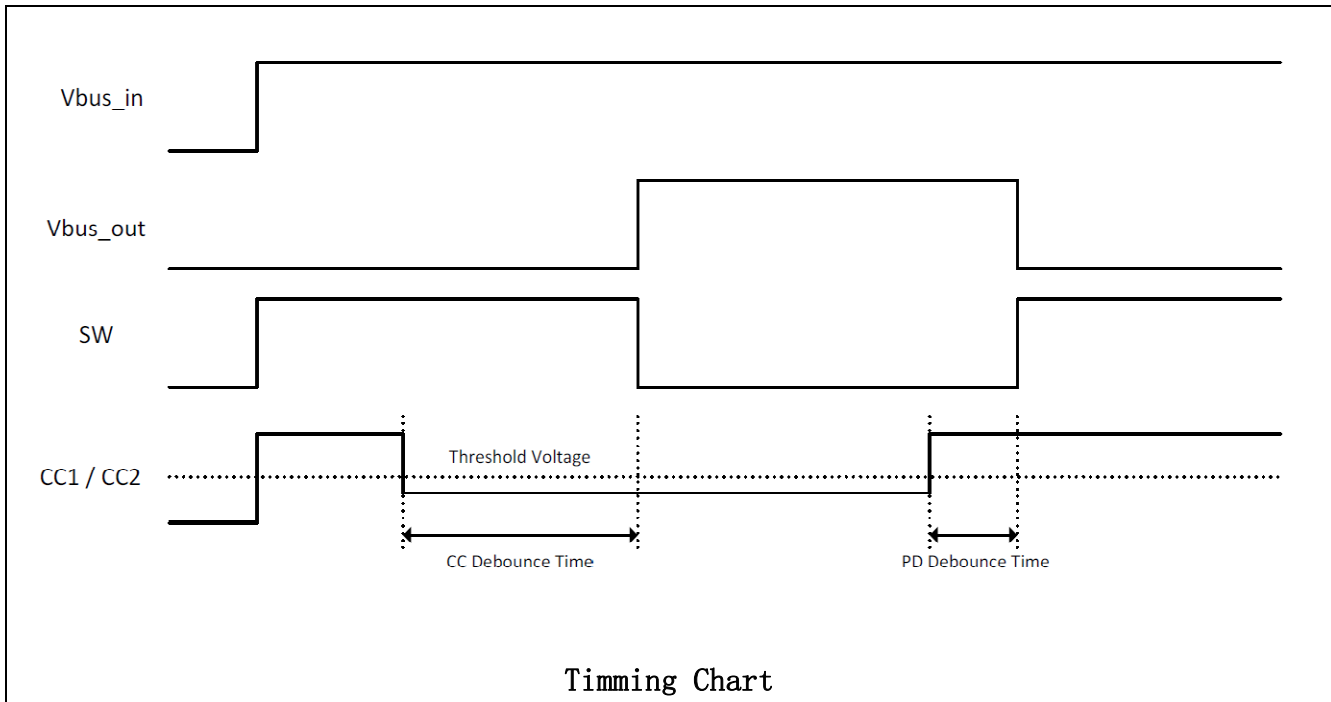
Characteristics	Symbol	Test Conditions	Min	Typ	Max	Unit
Supply Voltage	$V_{DD}$		3.0	-	6.0	V
$V_{DD}$ Turn-on Threshold Voltage	$V_{ON}$		-	4.1	-	V
$V_{DD}$ Turn-off Threshold Voltage	$V_{OFF}$		-	2.85	-	V
Quiescent Current	$I_Q$	CC1 Pin and CC2 Pin Open	-	85	150	uA
CC1 / CC2 Source Current	$I_{SOURCE}$	Source Current = 80 uA	-5	-	+5	%
		Source Current = 180 uA	-5	-	+5	
		Source Current = 330 uA	-5	-	+5	
CC Rd Detection Threshold Voltage	$V_{RD\_TH}$	For Default USB Power	1.51	1.60	1.64	V
		For 1.5A Current	1.51	1.60	1.64	
		For 3A Current	2.46	2.60	2.74	
CC Ra Detection Threshold Voltage	$V_{RA\_TH}$	For Default USB Power	0.16	0.20	0.24	V
		For 1.5A Current	0.36	0.40	0.44	
		For 3A Current	0.76	0.80	0.84	



CC Leakage Current	$I_{CC\_LEAK}$	CC = 5V, $V_{DD} = 0V$	-	-	1	$\mu A$
tCCDebounce	$T_{CC}$	Time from CC Voltage Detection until SW goes Low	100	150	200	ms
tPDDebounce	$T_{PD}$	Time from CC Voltage Not Detection until SW goes High	10	15	20	ms
Discharge Sink Capability	$V_{DIS}$	Sink Current = 10mA	-	0.2	0.4	V
SW Output High Voltage	VOHSW	Source Current = 4mA	VDD-0.4	VDD-0.2	-	V
SW Output Low Voltage	VOLSW	Sink Current = 4mA	-	0.2	0.4	V
Static Drain-Source On-Resistance	RDS(ON)	$V_{IN} = -4.5V$ , $I_D = -4A$	-	20	25	$m\Omega$
Drain-Source Breakdown Voltage	BVDSS	$V_{IN} = 0V$ , $I_D = -250\mu A$	-30	-	-	V



**Typical Performance Characteristics(典型性能特性)**



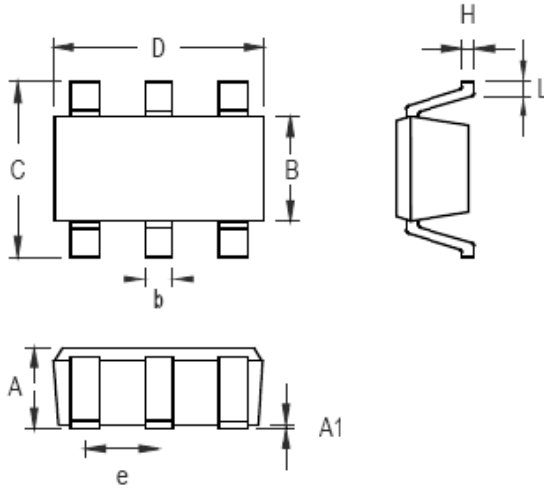
DFP Advertisement	Current Source to 1.7 - 5.5 V	Resistor pull-up to 4.75 - 5.5 V	Resistor pull-up to 3.3 V ± 5%
Default USB Power	80 μA ± 20%	56 kΩ ± 20% (Note 1)	36 kΩ ± 20%
1.5 A @ 5 V	180 μA ± 8%	22 kΩ ± 5%	12 kΩ ± 5%
3.0 A @ 5 V	330 μA ± 8%	10 kΩ ± 5%	4.7 kΩ ± 5%

**DFP CC Termination (Rp) Requirements**

	Minimum	Maximum	Description
<b>tCCDebounce</b>	100 ms	200 ms	Time a port shall wait before it can determine it is attached
<b>tPDDebounce</b>	10 ms	20 ms	Time a port shall wait before it can determine it is either detached or a change in USB Type-C current due to the potential for <a href="#">USB PD</a> BMC signaling on CC
<b>tErrorRecovery</b>	25 ms		Time a self-powered port shall remain in the <a href="#">ErrorRecovery</a> state.

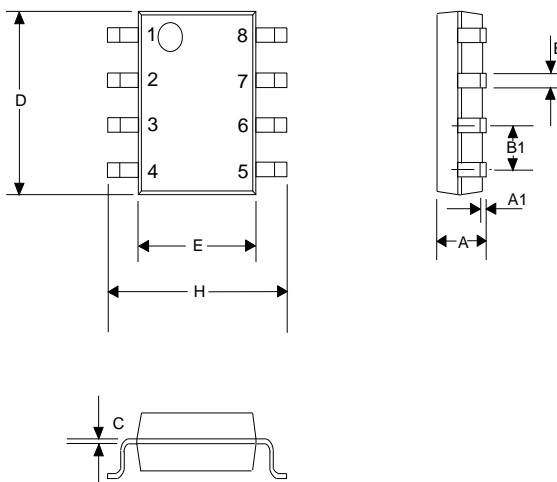
**CC Timing**

**Outline Drawing For SOT23-6 (封装尺寸 SOT23-6)**



Symbol	Dimensions In Millimeters		Dimensions In Inches	
	Min	Max	Min	Max
A	0.889	1.295	0.031	0.051
A1	0.000	0.152	0.000	0.006
B	1.397	1.803	0.055	0.071
b	0.250	0.560	0.010	0.022
C	2.591	2.997	0.102	0.118
D	2.692	3.099	0.106	0.122
e	0.838	1.041	0.033	0.041
H	0.080	0.254	0.003	0.010
L	0.300	0.610	0.012	0.024

**Outline Drawing For PSOP8 (封装尺寸 PSOP8)**



DIMENSIONS				
DIM <sup>N</sup>	INCHES		MM	
	MIN	MAX	MIN	MAX
A	0.0532	0.0688	1.35	1.75
A1	0.0040	0.0098	0.10	0.25
B	0.0130	0.0200	0.33	0.51
B1	0.050 BSC		1.27 BSC	
C	0.0075	0.0098	0.19	0.25
D	0.1890	0.1968	4.80	5.00
H	0.2284	0.2440	5.80	6.20
E	0.1497	0.1574	3.80	4.00



SEAWARD  
ELECTRONICS

**SE301/SE302**  
**USB Type-C DFP Controller IC**  
**Without/with Internal PMOS**

---

**联系方式:**

北京思旺电子有限公司-中国总部

地址: 中国北京市海淀区信息路 22 号上地科技综合楼 B 座二层

邮编: 100085

电话:010-82895700/1/5

传真:010-82895706

Seaward Electronics Corporation – 台湾办事处

2F, #181, Sec. 3, Minguan East Rd,

Taipei, Taiwan R.O.C

电话: 886-2-2712-0307

传真: 886-2-2712-0191

Seaward Electronics Incorporated – 北美办事处

1512 Centre Pointe Dr.

Milpitas, CA95035, USA

电话: 1-408-821-6600